



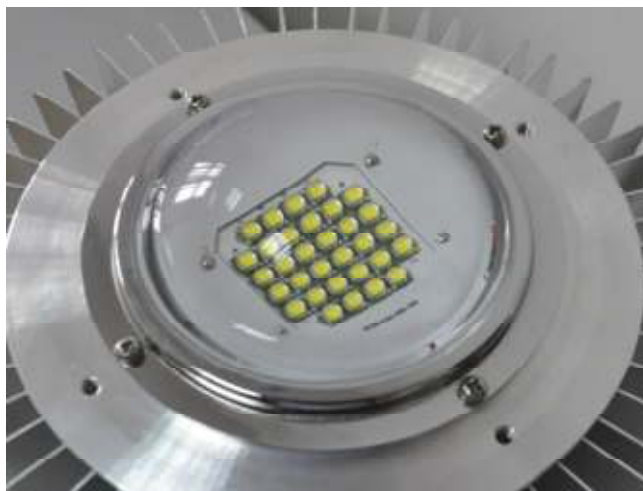
UFO High Bay



6880-M32-CR5200

UFO-M32 High Bay Light 20000LM 200W CR5

The U-Tron UFO series High-Bay lights designed to replace the traditional factory, warehouses and sport arenas High Bay lights using HPS, HID and other decadent technologies. UFO light fixtures can fit in the existing same locations and produce the same light intensity and distribution so the customers can easily take the old one out and put in our UFO Bay Lights.



Product Technical Data

General Informaion

| | |
|-----------|------------------------|
| Heatsink | 6063-T5 aluminum alloy |
| Life Span | 50000hr |

Product Dimensions

| | |
|---------------|-------|
| Lamp Diameter | 495mm |
| Lamp Height | 539mm |

Light Characteristics

| | |
|---------------------|------------|
| Efficacy | 100lm/W |
| Beam Angle | 90,120 |
| CCT | 4000-5500K |
| Flux | 20000lm |
| | 80 |
| Color Rending Index | |

Ordering Information

| | |
|-----------------------|--------------------------------------|
| Product Number | 6880-M32-CR5200 |
| Product Name | UFO High Bay 200W |
| Product Ordering Name | UFO-M32 High Bay 20000lm 200W CR5 |

Electrical Characteristics

| | |
|--------------|-----------|
| Wattage | 200W |
| Voltage | universal |
| Power Factor | 0.937 |

| | |
|----------------------|--------|
| Pieces Per Pack | 1 |
| Packs Per Carton | 1 |
| Net Weight Per Piece | 8.0 Kg |

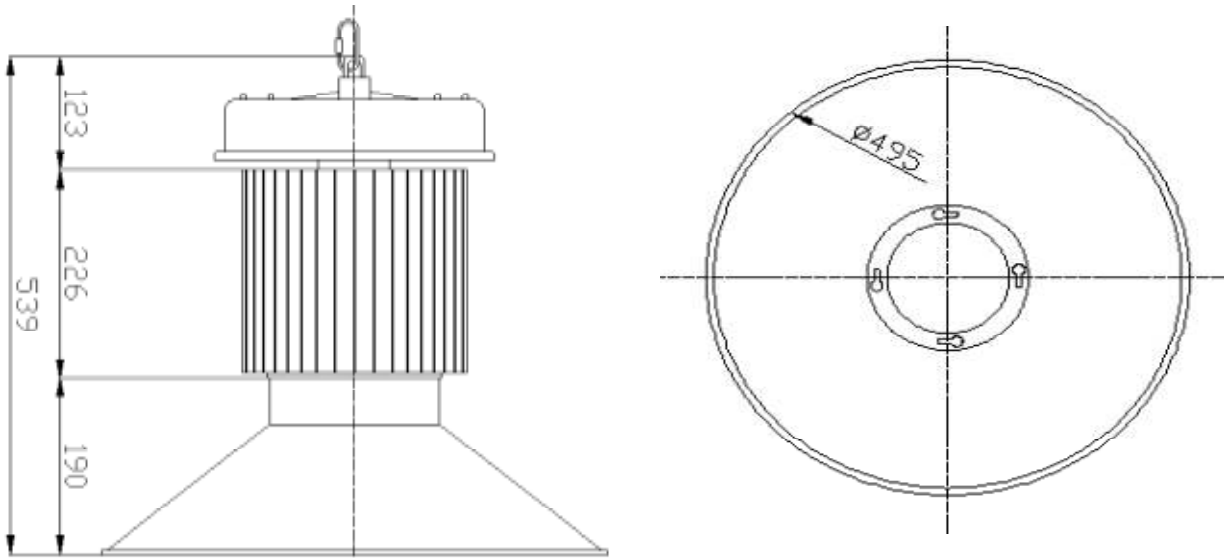
Temperature

| | |
|-----------------|--------------------|
| Operating Temp. | -40(min), 45(max)C |
| Storage | -40(min), 45(max)C |

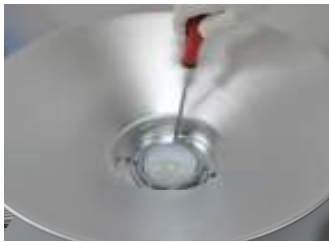
www.u-tron.com



Technical Drawing



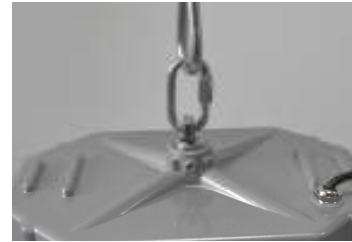
Installation



1



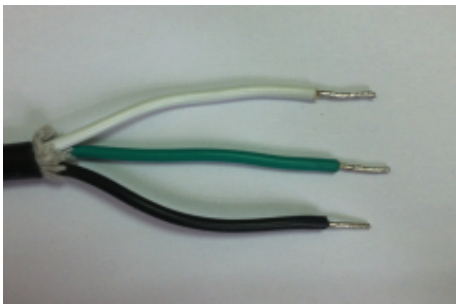
2



3

1. Put the reflector cover on the heatsink by using four screw
2. By the use of C-bolt hook loosen it first then insert it into a chain or cable wire to hang it.
3. After the light is already hanged then tighten the bolt to make it safe.

Wiring Diagram



White = Neutral

Green = Ground

Black = Live

©2012 U-Tron (Beijing) Electronics Co., LTD
 All rights reserved
 Specifications are subject to change without notice

15-Feb-12
 data subject to change

